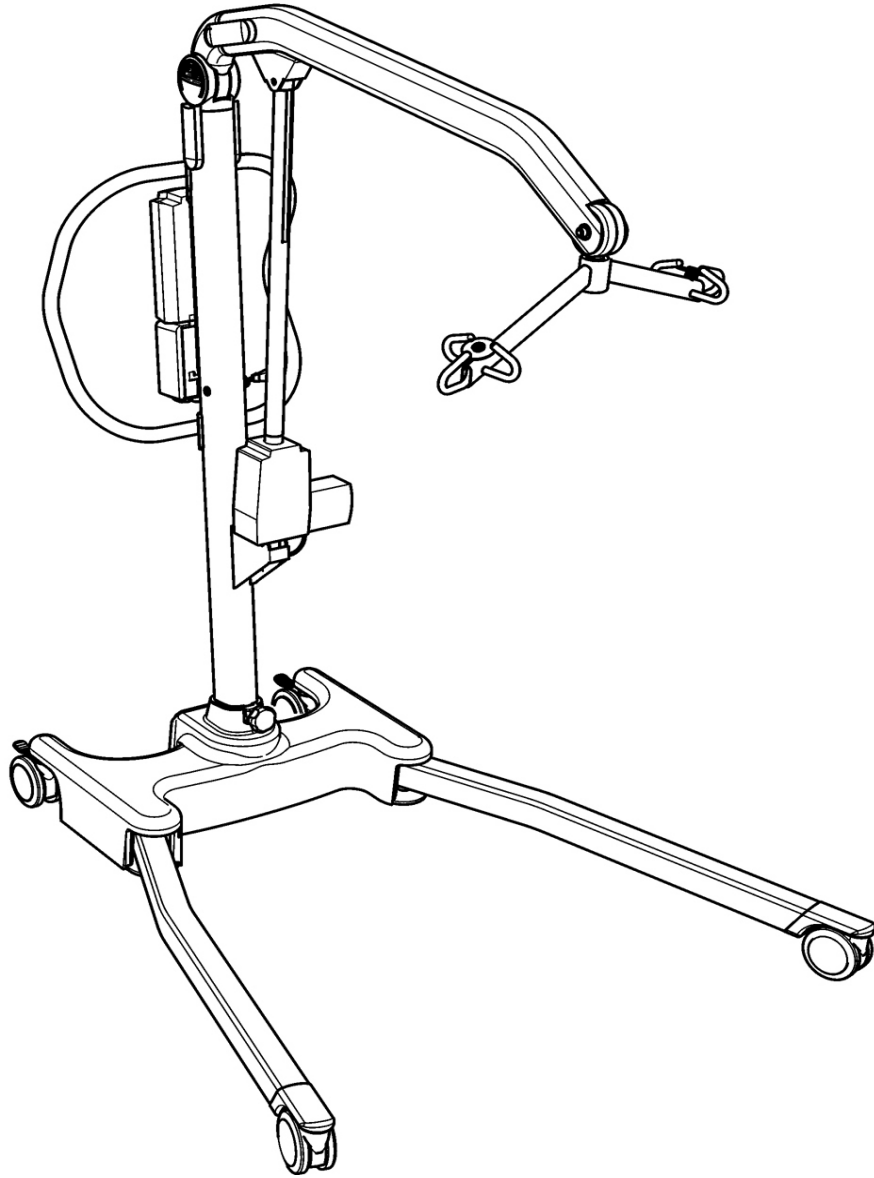


OXFORD / HOYER PRESENCE PARTS MANUAL



Sunrise Medical Limited

High Street, Wollaston, West Midlands, DY8 4PS

Tel: +44 (0)1384 44 66 22

Fax: +44 (0)1384 44 66 44

sunmail@sunmed.co.uk

www.sunrisemedical.com

Sunrise Medical Inc

5001 Joerns Drive, Stevens Point

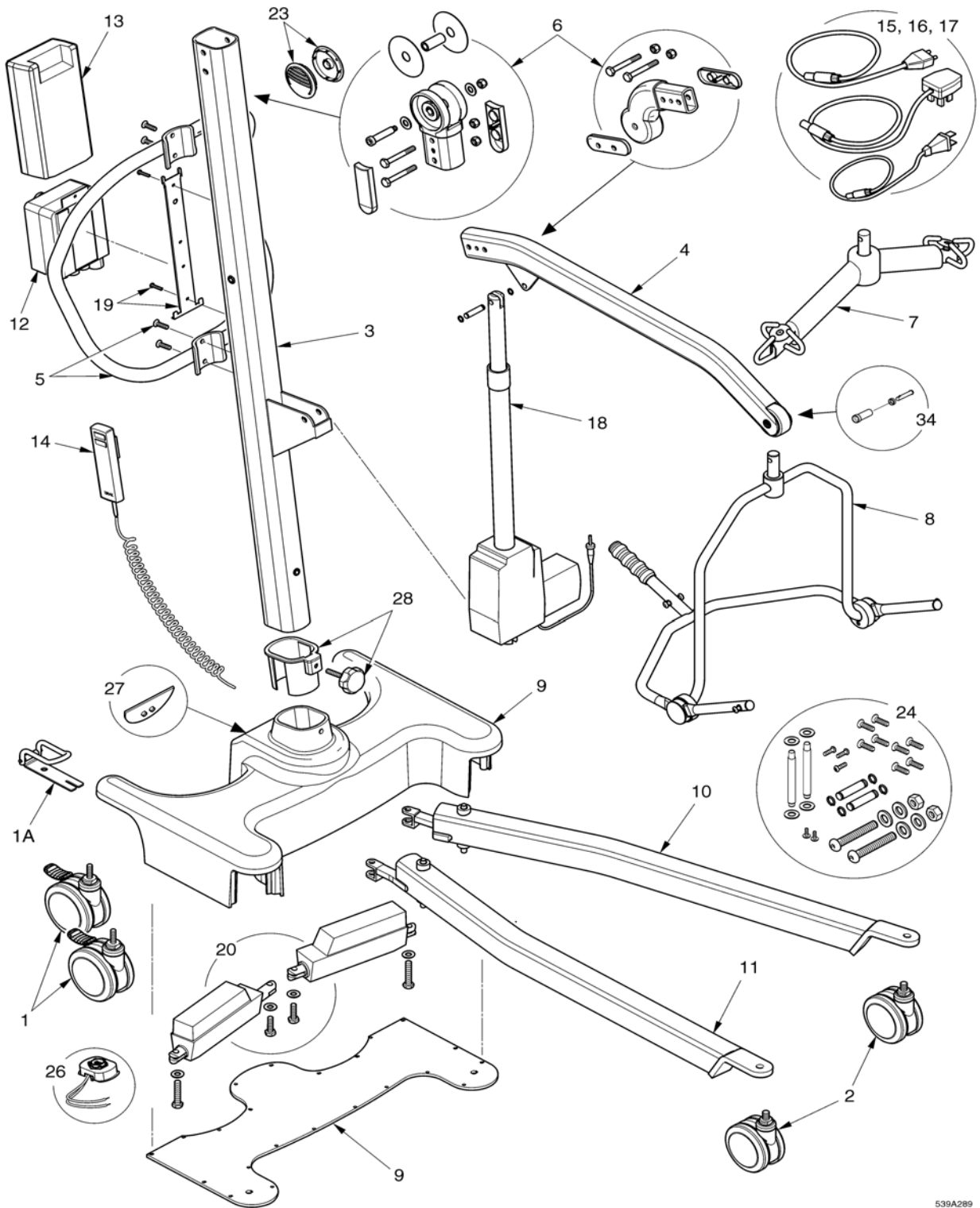
Wisconsin, 54481-5040

Tel: (715) 341 3600

(800) 826 0270 (Toll Free)

Rev. B

OXFORD / HOYER PRESENCE



539A289

OXFORD / HOYER PRESENCE

Nº	PART NUMBER	DESCRIPTION	QTY
1	0Y0066	100mm rear castor (braked)	2
1A	0Y0263	Straight-line steering device	1
2	0Y0073	100mm front castor including tightening wrench (wrench not shown)	2
3	0Y0082	Mast extrusion including labels	1
4	0Y0083	Boom extrusion (inc. boom end caps and labels except Oxford/Hoyer dome label)	1
5	0Y0084	Push handle assembly (inc fixings)	1
6	0Y0089	Casted boom to mast pivot joint (includes connection bolts/fixings/spacers)	1
7	0Y0048	Spreader bar assembly complete (2 point)	1
8	0Y0050	Spreader bar assembly complete (4 point)	1
9	0Y0080	Base assembly (including base casting, bottom plate and labels, not internal parts)	1
10	0Y0085	Left leg extrusion (including fixings)	1
11	0Y0086	Right leg extrusion (including fixings)	1
12	0Y0074	Linak controller (4 way)	1
13	0Y0067	Linak battery	1
14	0Y0075	Linak hand control (4 way)	1
15	0Y0071	Linak charge lead (UK)	1
16	0Y0114	Linak charge lead (US)	1
17	0Y0072	Linak charge lead (EU)	1
18	0Y0087	Linak actuator - 400mm stroke (inc. location pins, sleeves, washers, circlips and labels)	1
19	0Y0069	Linak battery and controller (including brackets/fixings)	1
20	0Y0081	Linak leg opening actuators - 30mm stroke (including bolts and fixings)	1
21	0Y0091	Decal set (Oxford) not shown - no serial number labels	1
22	0Y0090	Decal set (Hoyer) not shown - no serial number labels	1
23	0Y0126	Sunrise Pivot Caps	2
24	0Y0088	Fixings Kit (all bolts, screws and fixings)	1
25	0Y0070	Handset clip (not shown)	2
26	0Y0077	Mast to base electrical connection kit (including wires)	1
27	0Y0078	Foot push pad assembly complete	2
28	0Y0079	Mast locking knob assembly including plastic base insert	1
29	0Y0128	Castor tightening wrench (not shown)	1
30	0Y0053	Linak charger and stand assembly (not shown)	1
31	0Y0129	Base to actuator electrical connection kit (including wires)	1
32	0Y0108	Boom to mast pivot plastic caps	2
33	0Y0076	Mast side caps	2
34	0Y0222	Quick release pin kit	1